

CD7401 3"-90W-8Ω



KEY FEATURES:

- 1.5" exit throat
- 180 W continuous program power handling
- 110dB sensitivity 1w/1m
- 500Hz~20kHz frequency range
- Titanium diaphragm
- 75mm(3") edgewound Aluminum
- Aluminum rear cover
- optimized geometry phase plug

SPECIFICATIONS

General Specifications¹

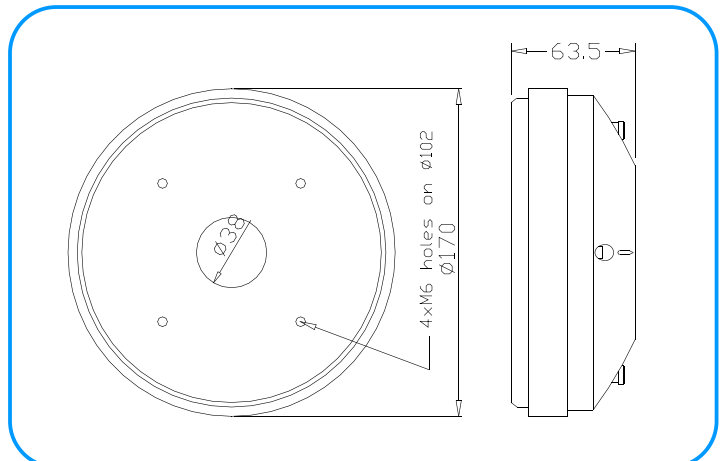
Throat Diameter	38/1.5	mm/inch
Rated Impedance	8	ohm
Power handling(1k~18kHz)		
Nominal ²	90	Watts
Continuous Program ³	180	Watts
Sensitivity ⁴		
(1w/1m, on axis, on horn)	110	dB
Frequency Range ⁵	500~20k	Hz
Minimum Impedance(Zmin)	7.9	ohm
Voice Coil Diameter	75/3	mm/inch
Voice Coil Material	Edgewound Aluminum	
Voice Coil Former	Kapton	
Phase Plug Material	Composite	
Diaphragm Material	Titanium	
Flux Density	1.7	T
Magnet Weight	58	oz

Mounting Information

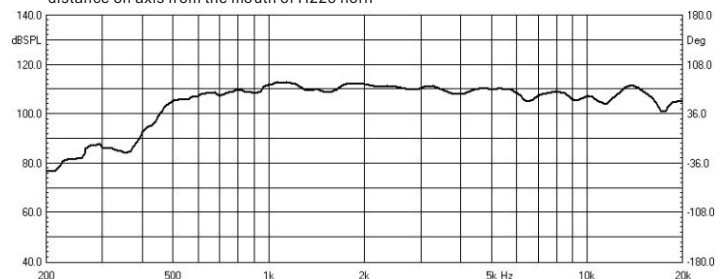
Overall Diameter	170	mm
Overall Depth	63.5	mm
Net Weight	4.5	kg
4xM6 holes, 90° on 102mm diameter		

NOTES:

1. Driver mounted on H225 horn.
2. 2 hours test made with continuous pink noise signal(6dB crest factor) within the specified range.
3. Continuous Program Power is defined as 3dB greater than the AES power.
4. Sensitivity is measured at 1W input on rated impedance at 1m on axis from the mouth of a horn and averaged between 1kHz and 16kHz.
5. Frequency range is defined as the band of frequencies delineated by the lower and upper limits where the output level drops by 10dB below the rated sensitivity.



Frequency response curve of the driver measured with 1w input on rated impedance at 1m distance on axis from the mouth of H225 horn



Impedance and phase curves measured in free air

